



TARGET J12

TARGET J12 is a structural connecting fitting with high fastening capacity, suitable for mounting with wood dowels.

TARGET J12 is an ideal solution for the installation of cabinets in tight spaces. It provides the possibility of pre-assembling into the panels without obstructing the packaging.

The through-passing hole allows to adjust the leveller placed underneath with a common allen wrench.

FEATURES AND BENEFITS

Easy pre-assembling

Simple pre-insertion into the panels. Conceived for automatic assembling.

Suitable for furniture in kit

Its unique features make TARGET the ideal solution for kit furniture.

No hardware kits

There is no need of hardware kits.

High-speed assembling

Mounting is extremely fast and efficient thanks to the pre-assembling of the panels.

Strong structural fastening

The panels are hard and securely fastened, therefore the cabinet is 100% stress-resistant.

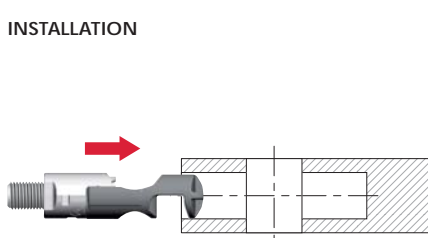
Wide range of applications

Practical solution for a wide range of applications.

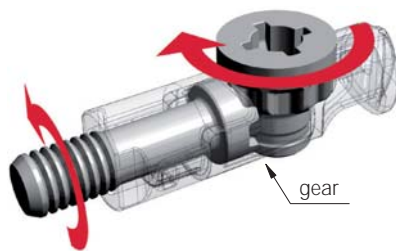
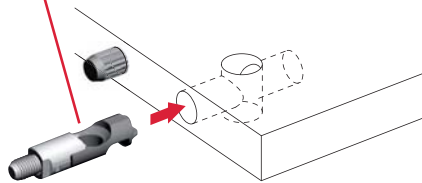
15 - 25 mm



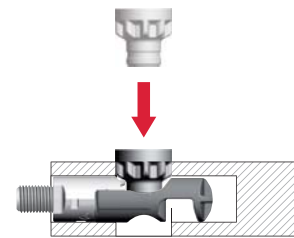
INSTALLATION



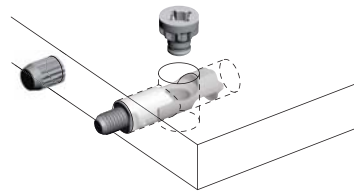
VERY IMPORTANT
Insert TARGET connecting with countersunk hole on top.



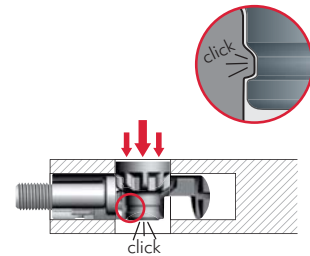
gear



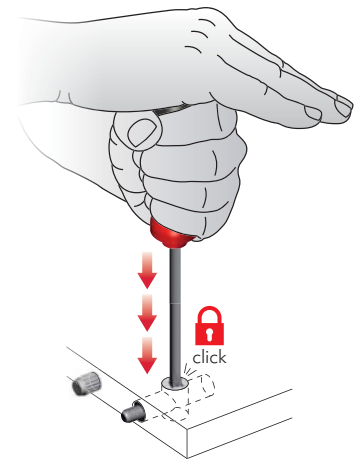
Place the pinion screw from above.



By turning the pinion screw, the threaded dowel makes a synchronized rotation.



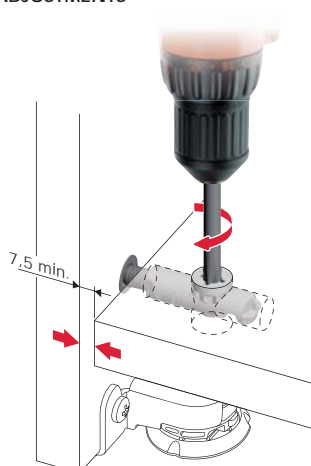
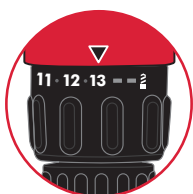
Press strongly with PZ2 cross screwdriver to slot the pinion screw in.



ASSEMBLING AND LEVELLER ADJUSTMENTS

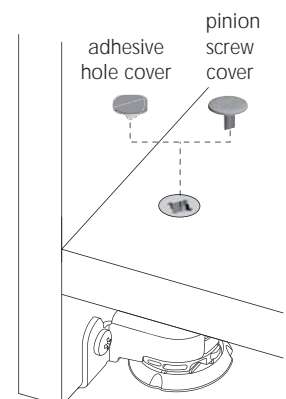
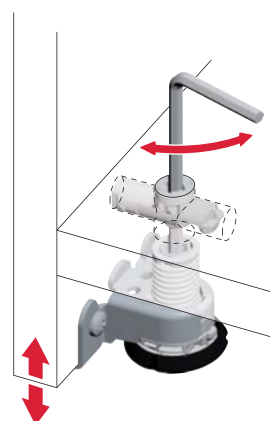
VERY IMPORTANT

Cordless driver drill to be used **ONLY** with friction mode on.

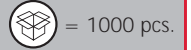
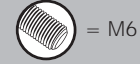
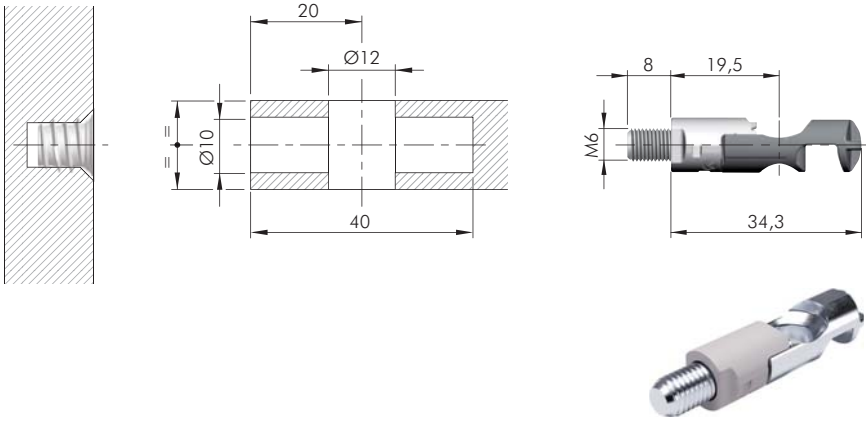


7.5 min

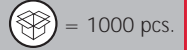
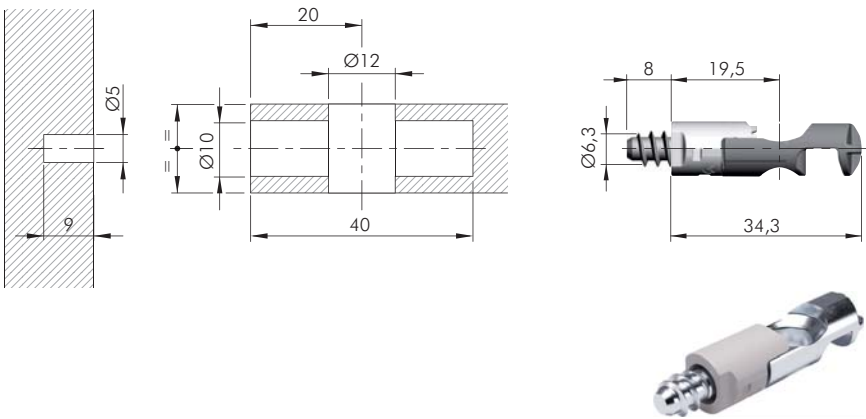
For details about adjustable levellers for TARGET J12 refer to the related sections.



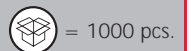
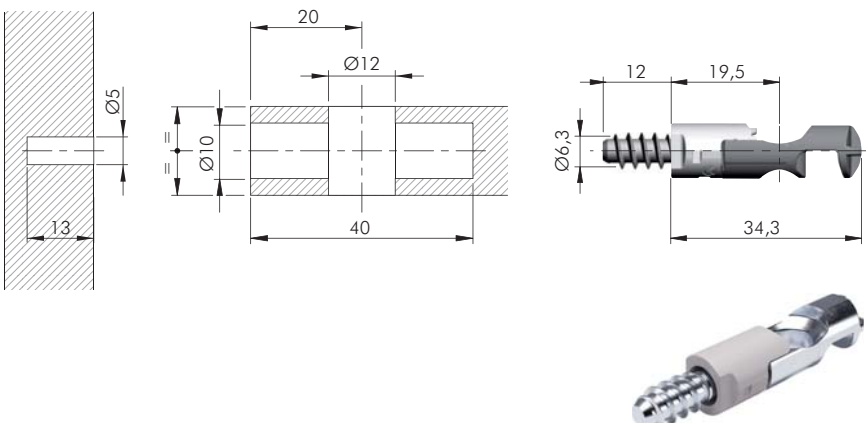
TARGET J12



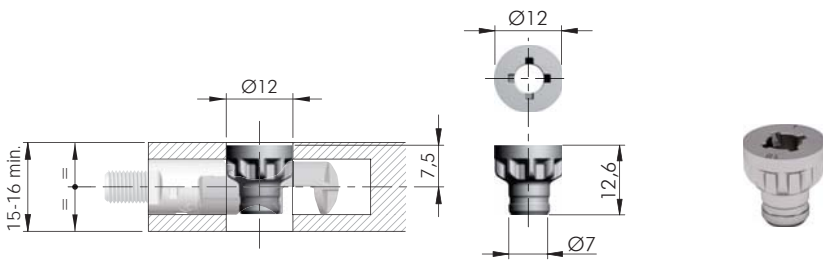
21807160Z^N



21808160Z^N

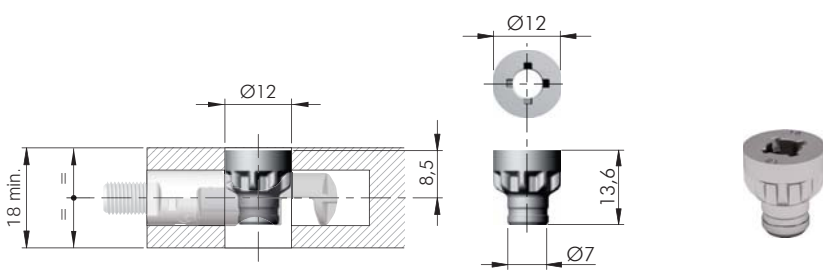


21808240Z^N



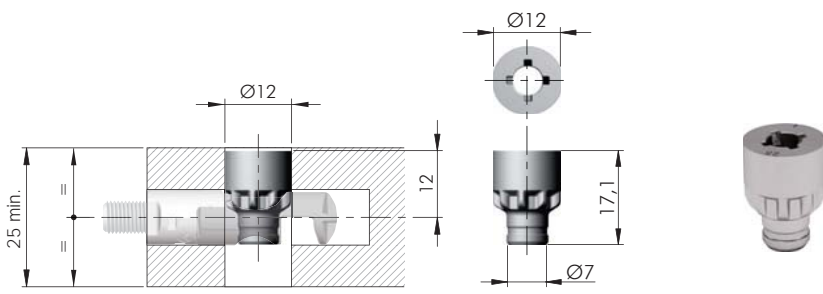
= PZ2 = Ø 12 mm
 = 15-16 mm min.
 = 2000 pcs.

|
21822160YA



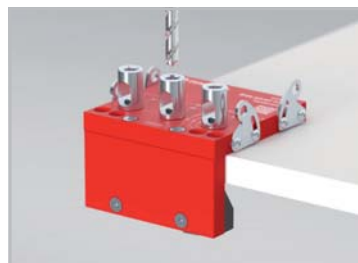
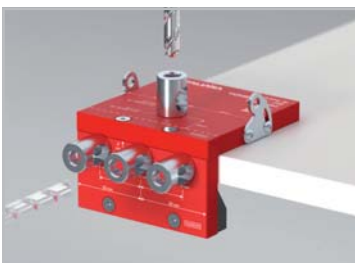
= PZ2 = Ø 12 mm
 = 18 mm min.
 = 2000 pcs.

|
21822320YA



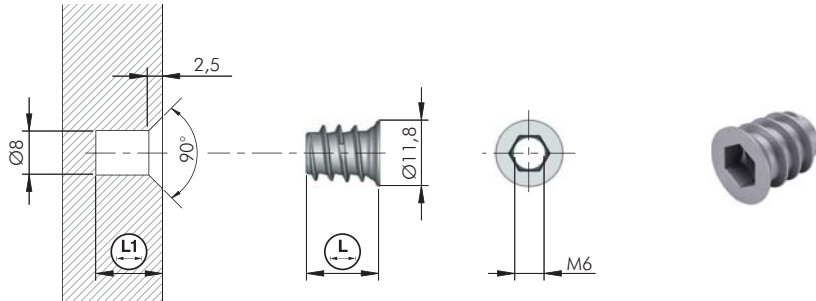
= PZ2 = Ø 12 mm
 = 25 mm min.
 = 2000 pcs.

|
21822340YA

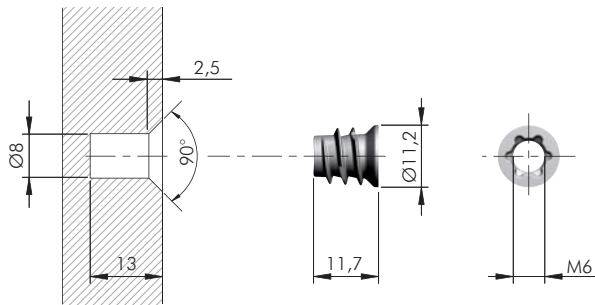


All information about drilling jigs are available at the end of the section Target.

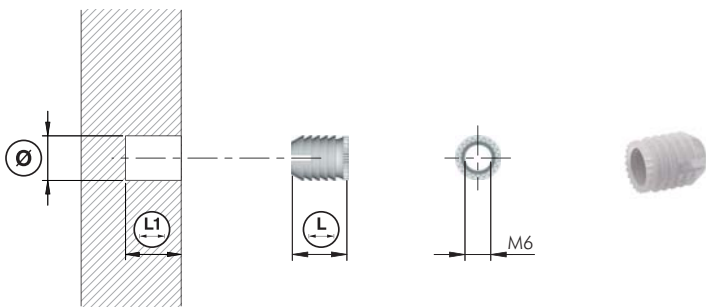
TARGET FIXING ACCESSORIES



= Ø 8 mm	= M6		
	= S6		
ZA		= 5000 pcs.	
20102010GR	10	12	
20102020GR	13	15	
20102040GR	17	19	



= Ø 8 mm	= M6		
	= T45		
ZA		= 5000 pcs.	
20102150GR			



= Ø 8, Ø 10 mm				
EPn				
20303030AA	8	11	13	5000
20304030AA	10	11	13	1000
20304040AA	10	13	15	1000

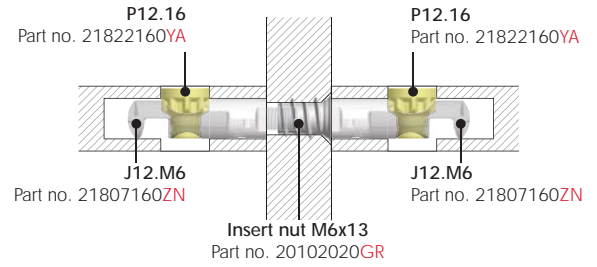
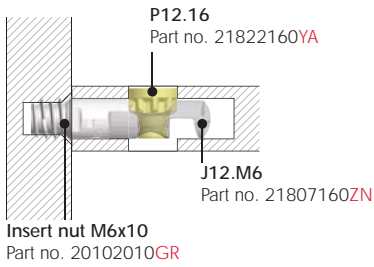
TARGET J12 PINION SCREW COVER



EP		= 5000 pcs.
21894000AB		
21894000IJ		
21894000EE		

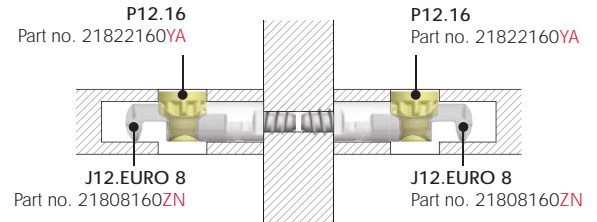
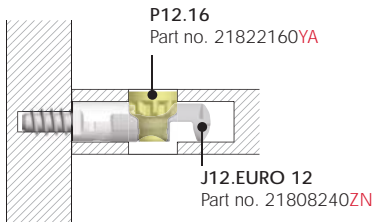


M6 thread

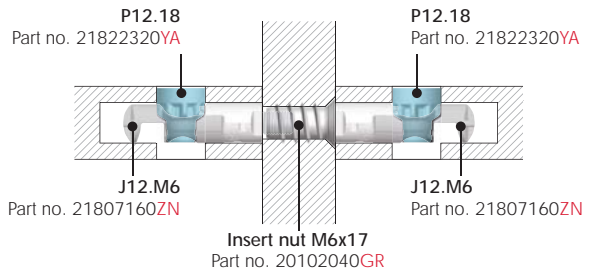
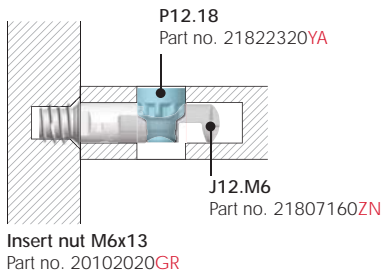


16 mm

Euro thread

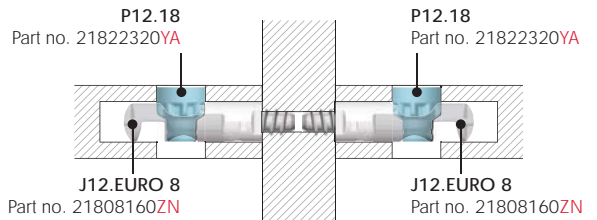
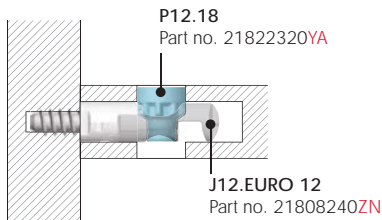


M6 thread

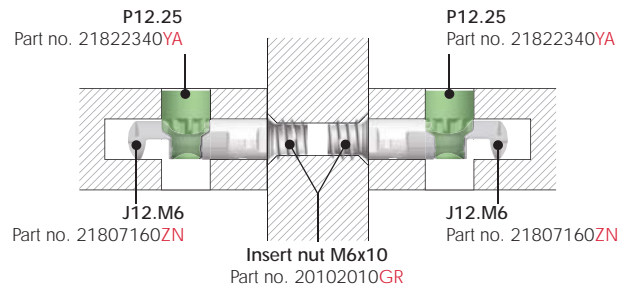
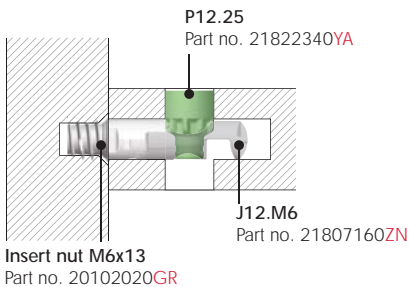


18 mm

Euro thread

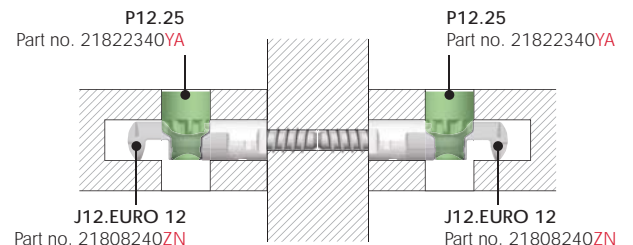
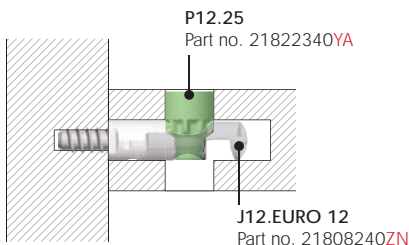


M6 thread



25 mm

Euro thread



LH7.20 ADJUSTABLE LEVELLER FOR TARGET J12

LH levellers include a range of adjustable feet especially conceived for cabinet construction with TARGET J10 and TARGET J12.

Both LH7.28 and LH7.20 are suitable for wall units with weight-bearing bottoms and offer 5 mm adjustment with leveller safety locking when fully adjusted. The engineering plastic glide is independent to prevent the scratching of the floor. The loading capacity is 150 Kg each for both versions.

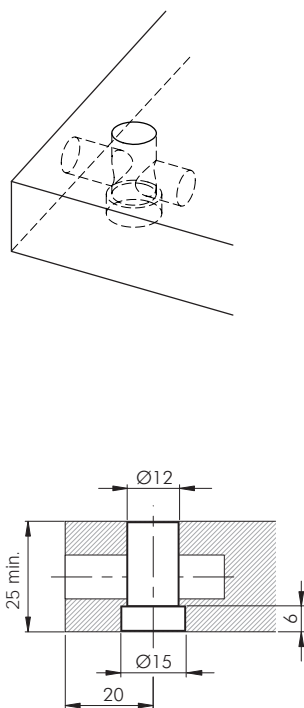
Specific features of LH7.20

- Minimum panel thickness 25mm in combination with Target J12.
- Adjustment to be carried out with an S4 key through the pinion hole (no need for extra drilling).

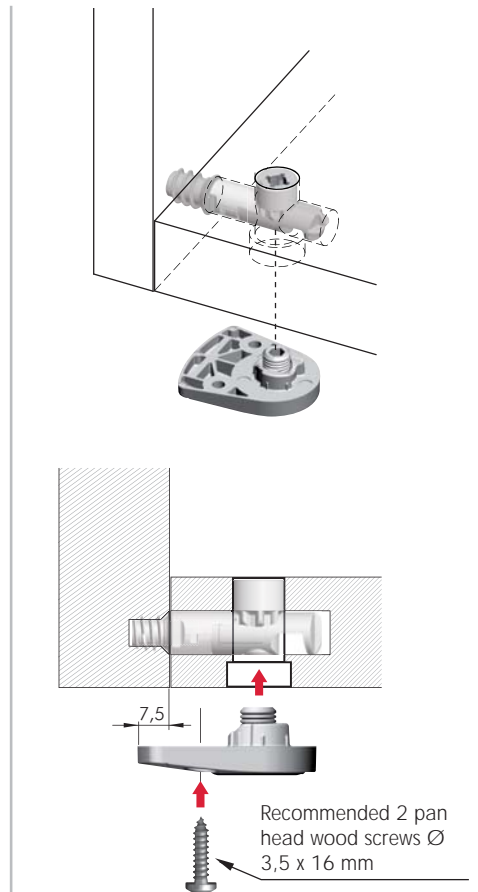
150 Kg per piece



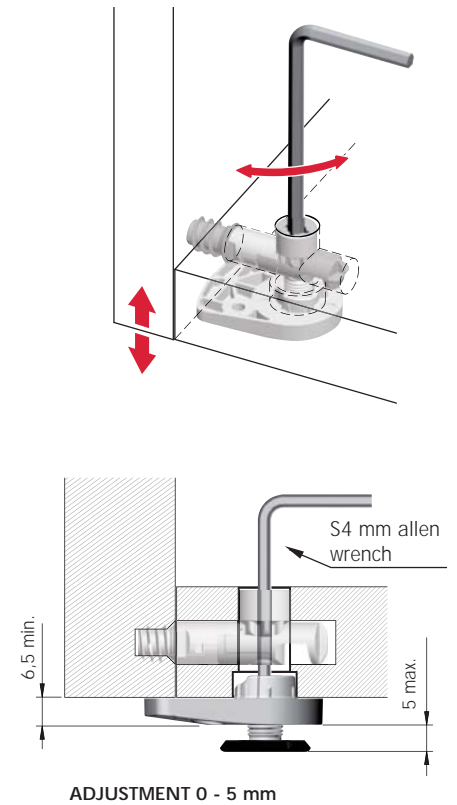
DRILLING PLAN DETAIL



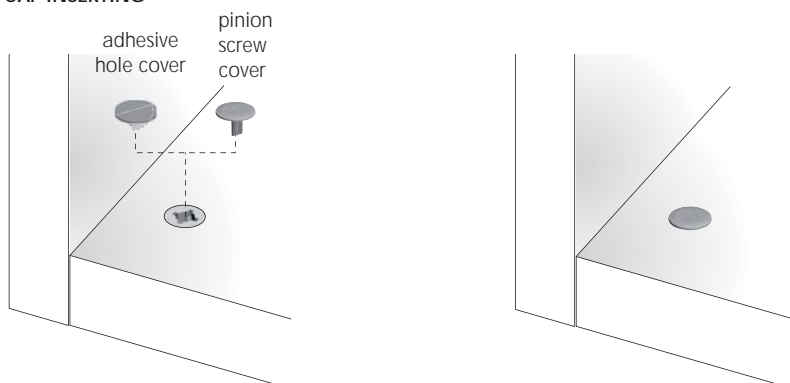
INSTALLATION

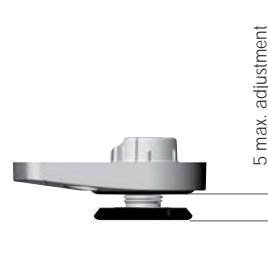
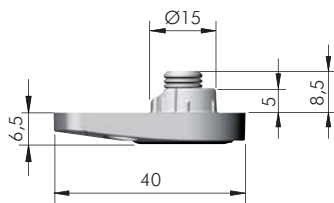
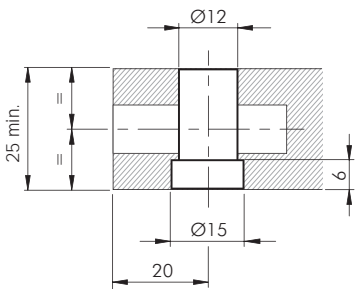
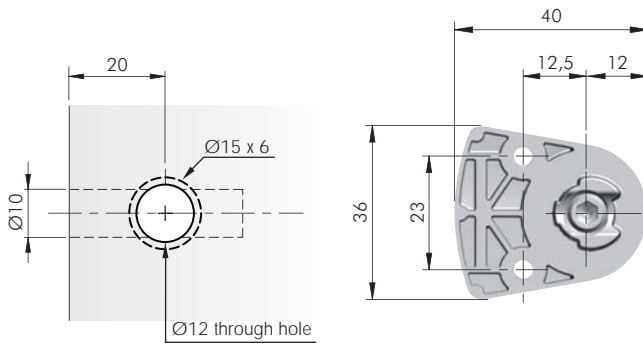
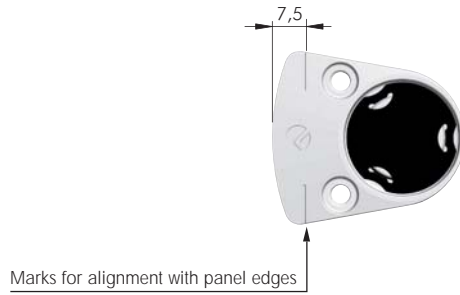


ADJUSTMENT

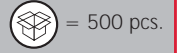


COVER CAP INSERTING





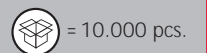
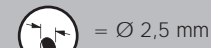
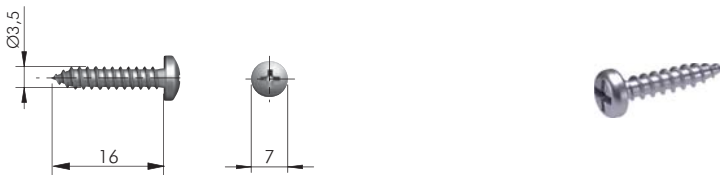
ADJUSTMENT 0 - 5 mm



21836200ZN

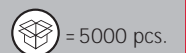


LH7.20 LEVELLER ACCESSORY



60103140ZN

TARGET J12 PINION SCREW COVER



21894000AB

21894000IJ

21894000EE

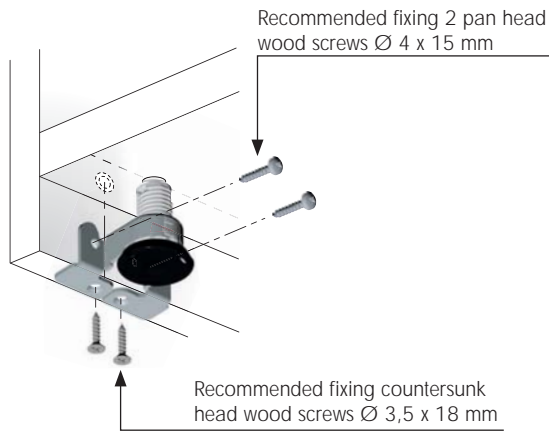
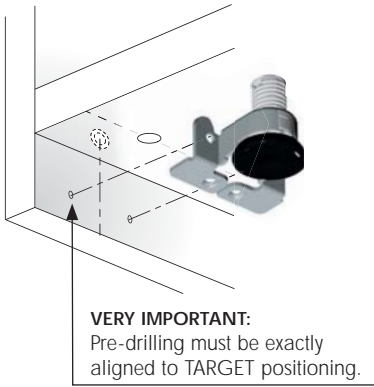
INTEGRATO TECH WITH TARGET J12



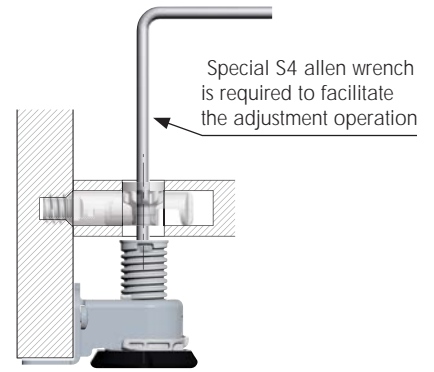
175 Kg per piece



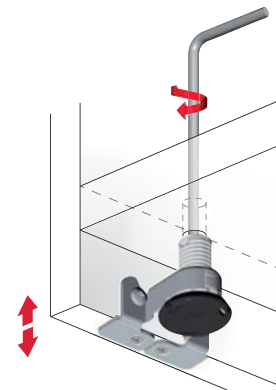
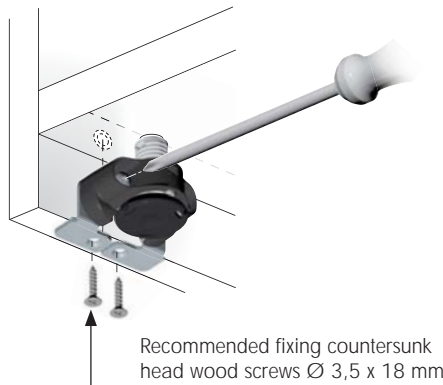
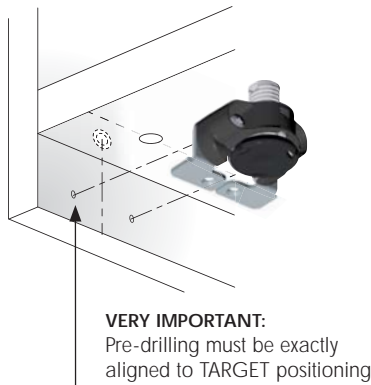
INSTALLATION



ADJUSTMENT

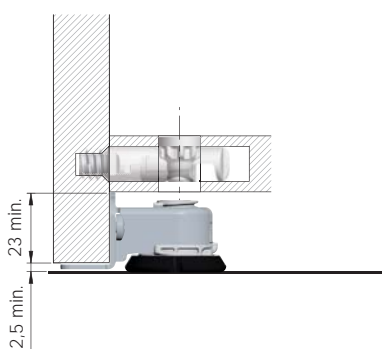


INTEGRATO TECH WITH PRE-MOUNTED SCREWS

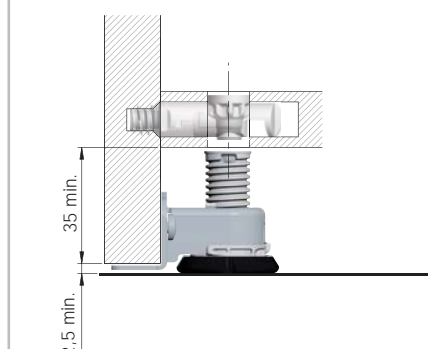


INTEGRATO TECH VERSIONS

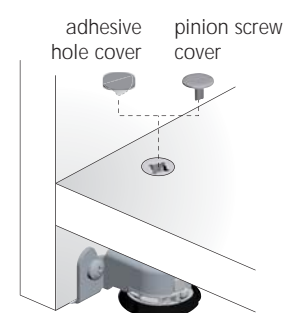
Adjustment 0 - 12 mm



Adjustment 0 - 20 mm



COVER CAP INSERTING



LH60.20 ADJUSTABLE LEVELLER FOR TARGET J12

LH levellers include a range of adjustable feet especially conceived for cabinet construction with TARGET J10 and TARGET J12.

LH60.20 is suitable for heavy duty wardrobes, bookcases, modular furniture, office furniture.

In particular it is conceived for furniture with 16 mm minimum thickness in the bottom panel and plinths of 60mm high.

It is possible to adjust the leveller from above, by using a S4mm allen wrench. The adjustment is 0-25 mm.

The loading capacity is 175 Kilos each.

If LH60.20 is installed with Target J12 the adjustment can be carried out through the pinion screw, thus avoiding visible holes on the panel.

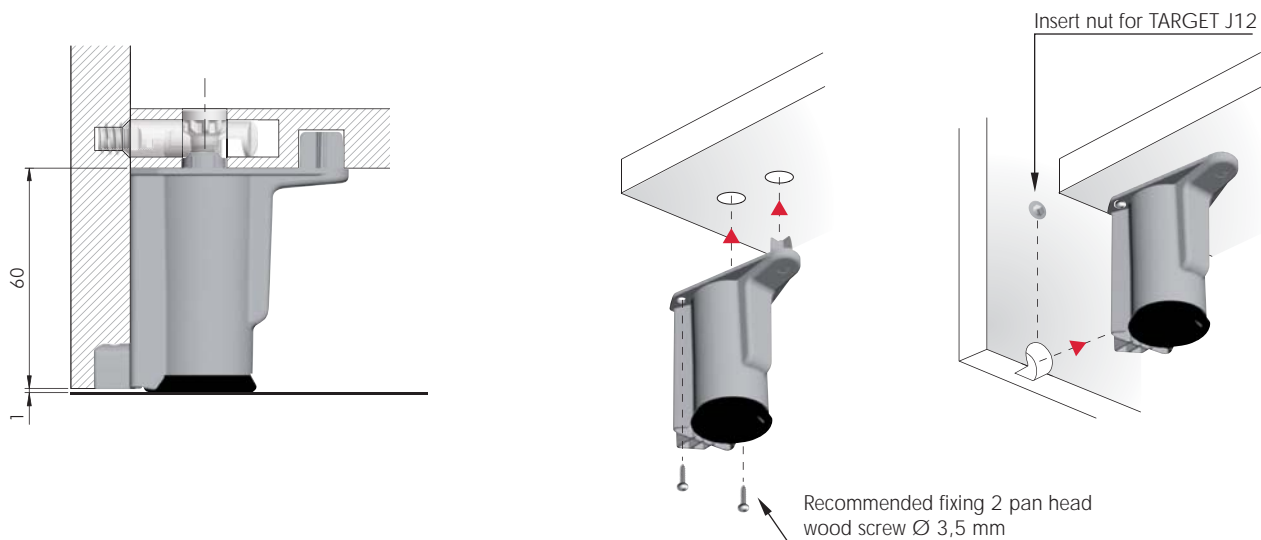
A lateral pin slots into the furniture side to achieve a structural connection, as well as an equal load distribution over the furniture side and base.

The zinc alloy foot is provided with an independent plastic glide for easier adjustment and to prevent floor scratching.

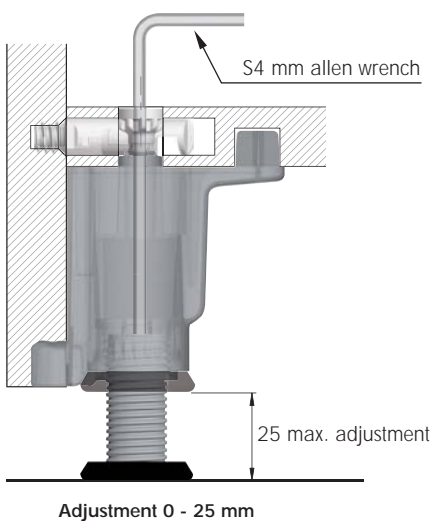
175 Kg per piece



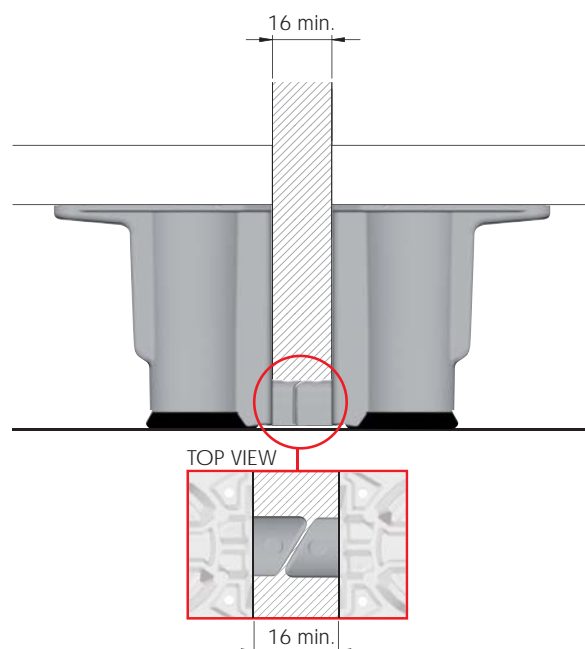
INSTALLATION

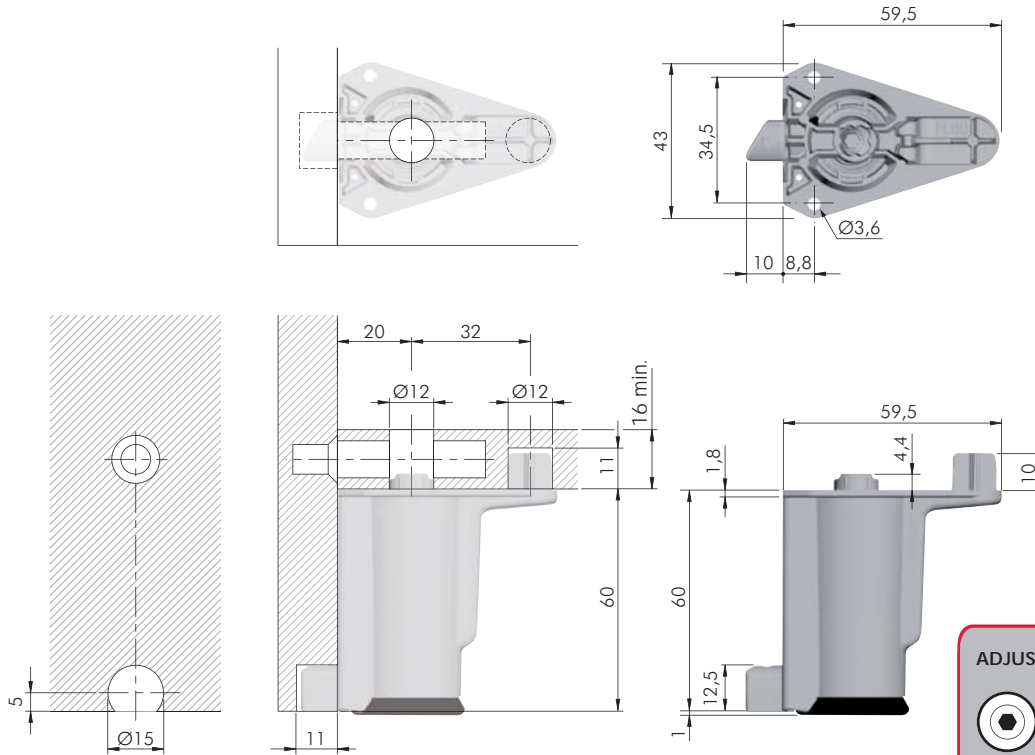


ADJUSTMENT



APPLICATION FOR PARTITION 16 mm THICK





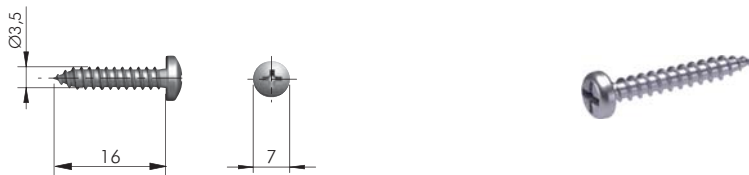
ADJUSTMENT 0 - 25 mm

= S4 / S6 mm

= 70 pcs.

P1801761IJ

LH60.20 LEVELLER ACCESSORY



= Ø 2,5 mm

= PZ2

= 10.000 pcs.

60103140ZN

TARGET J12 PINION SCREW COVER



= 5000 pcs.

21894000AB
21894000IJ
21894000EE